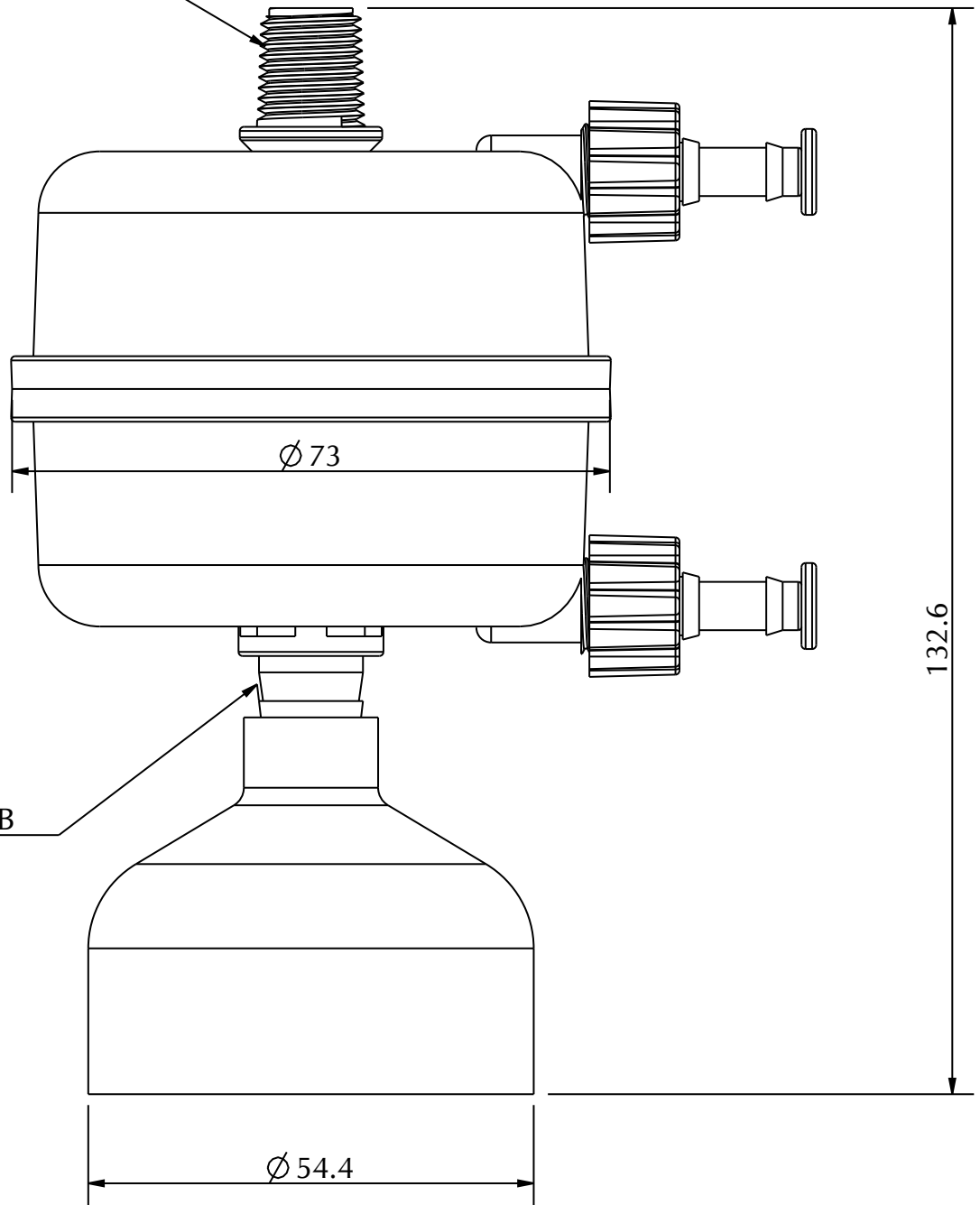


DO NOT SCALE THE DRAWING
ALL DIMENSIONS ARE IN mm.

NPT 18 TPI,
1/4" WITH TAPER



1/2" HOSE BARB

Ø 54.4

Ø 73

132.6

PART	QUANTITY	REF. No.	DESCRIPTION	MATERIAL	FINISHED SIZE	HARDNESS	REMARKS

Rev.No.	ECN No.	DATE	DESCRIPTION	Rev.No.	ECN No.	DATE	DESCRIPTION

mdi ADVANCED MICRODEVICES(P)LTD. 20,21,Industrial Area,Ambala Cantt.133006. SCALE PROJ. DATE SIGN. TOLERANCE UNLESS SPECIFIED

2" CAPSULE FILTER WITH 1/4" MNPT INLET, 1/2" HOSE BARB OUTLET REV. NO. FORMAT NO. 5 NONE SPC Control Drawn RC C ±0.100 ±0.050 ±0.025 ±0.010 T ±0.050 ±0.025 ±0.010 ±0.000 S Angle ±2° ±2° ±2° ±2°

TOOL No. COMP.No. STORE No. SHEET 1 OF 1